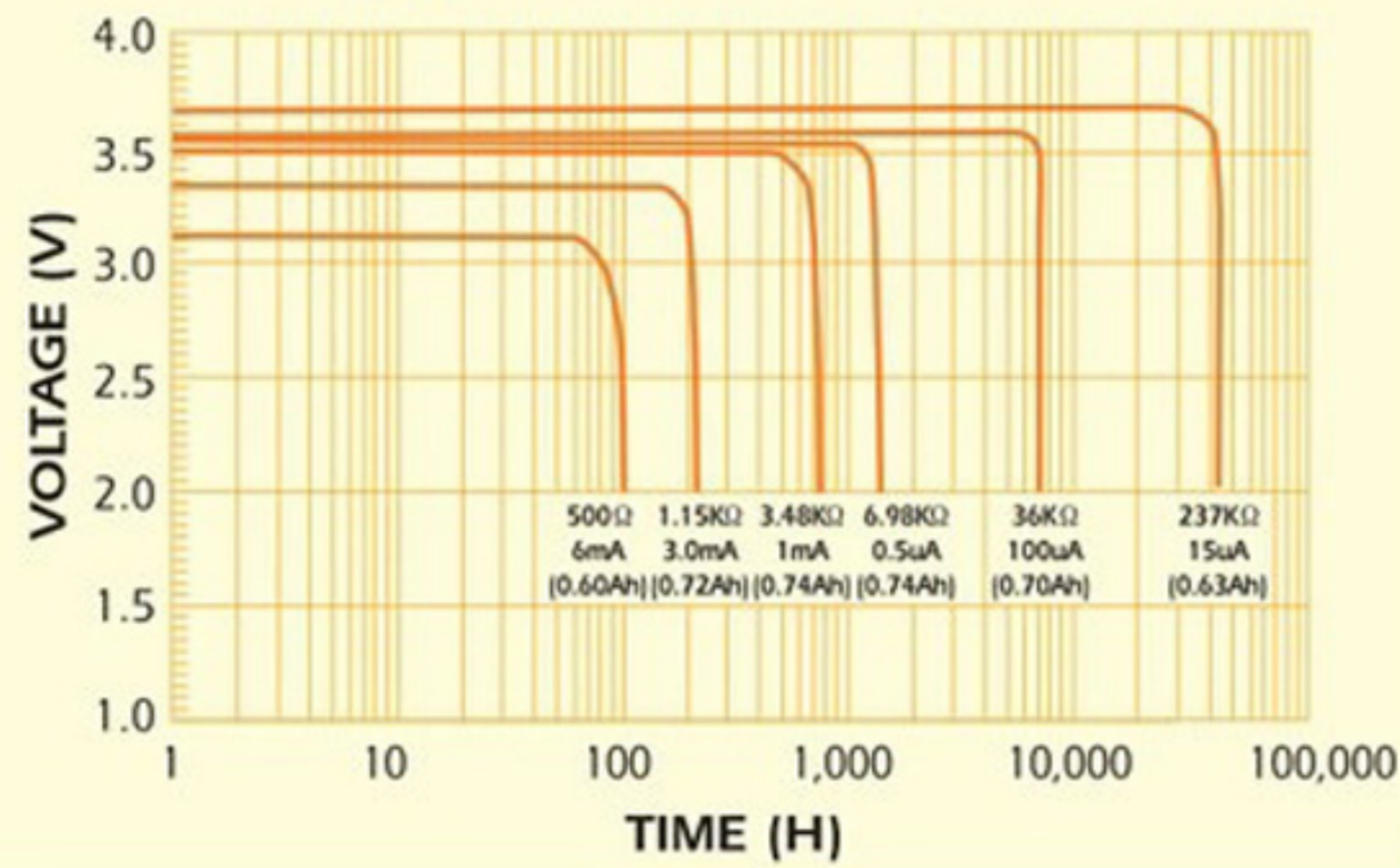
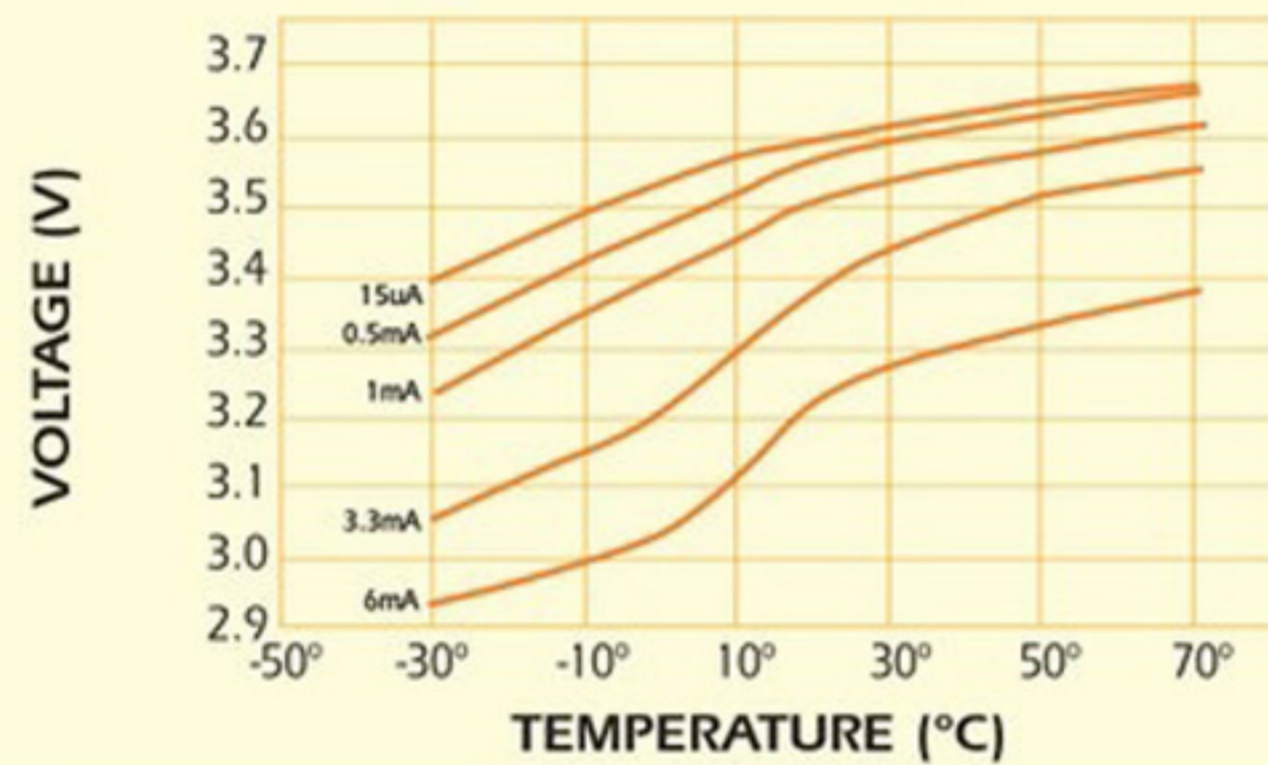


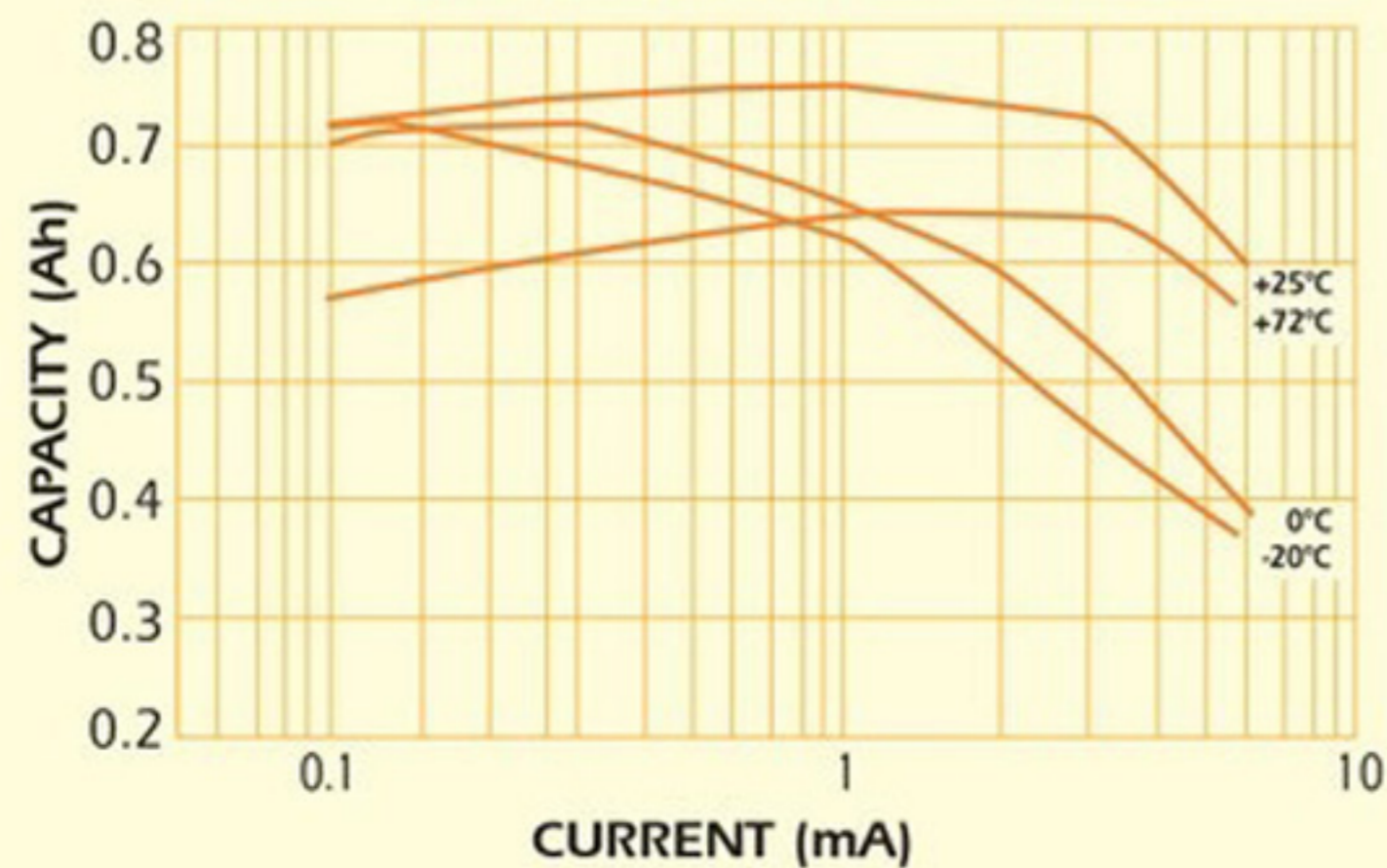
Discharge Characteristics @ +25°C



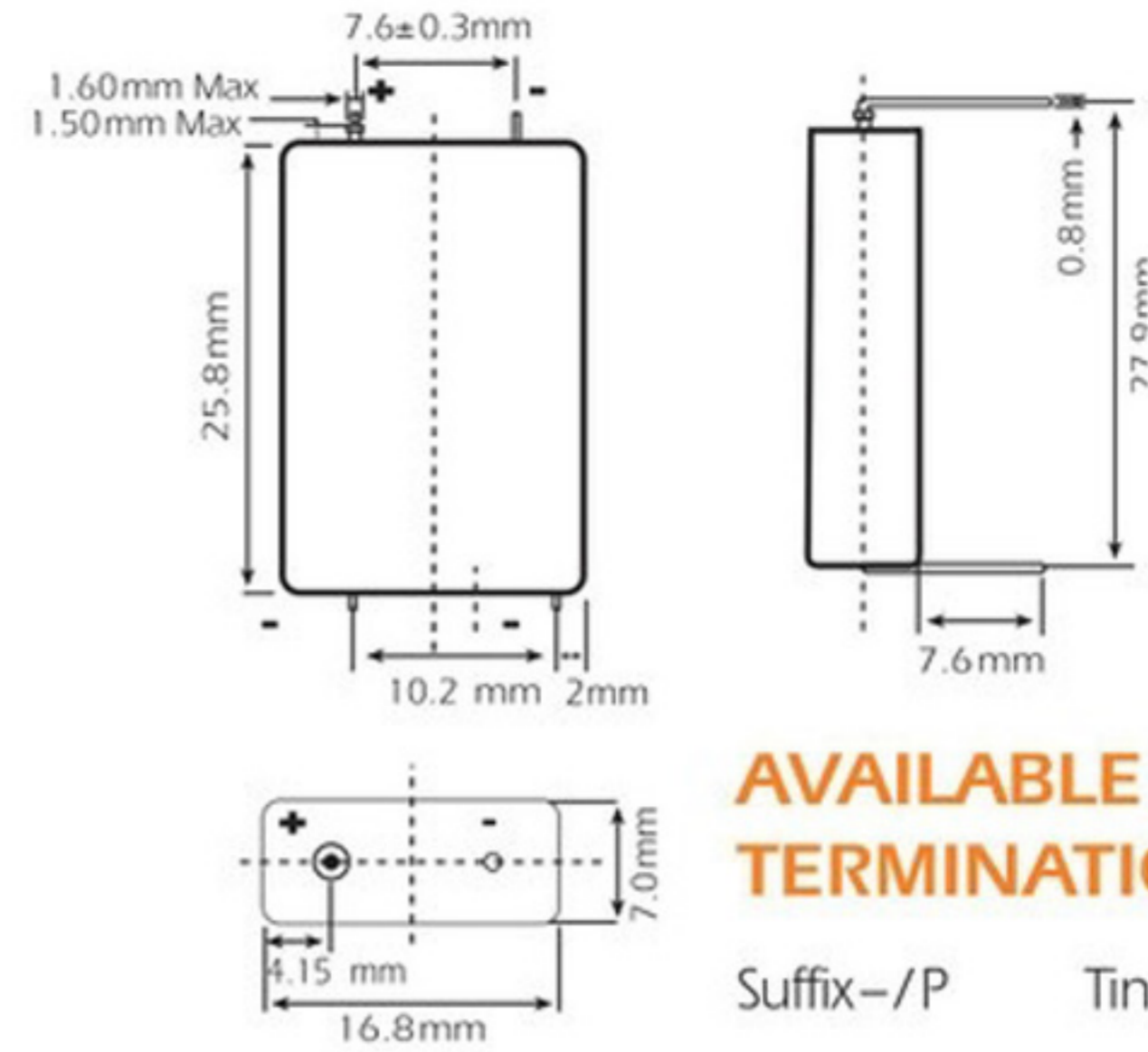
Voltage versus Temperature



Capacity versus Current



EF651625



Physical Characteristics

Width (max)	16.8 mm (0.661")
Length (max)	25.8 mm (1.016")
Height (max)	6.8 mm (0.268")
Typical weight	8 g (0.282oz)
Lithium content	0.19 g (0.006oz)

Storage Characteristics

